

INNOVATIVE CONCEPTS

CELEBRATING OVER 20 YEARS



Accu-Fit Seating™

"Improving lives, Improving independence, one product at a time"

"Online
Order Forms
@ icrehab.com"

TABLE OF CONTENTS

Section 1:	Seating Packages	1.1
Section 2:	Backs & Seats	2.1
Section 3:	Seat & Back Hardware Kits	3.1
Section 4:	Lateral Trunk Supports	4.1
Section 5:	Lateral/Medial Thigh Supports	5.1
Section 6:	Head Supports	6.1
Section 7:	Seat Belts	7.1
Section 8:	Chest Support Harnesses	8.1
Section 9:	Upper Extremity Supports	9.1
Section 10:	Lower Extremity Supports	10.1
Section 11:	“DO IT YOURSELF” Items	11.1
Section 12:	Glossary/Ordering Info	12.1

SECTION 1: SEATING PACKAGES

All Seats & Backs come with ½" multi-ply wood, Zippered closure Dartex covers and ¼-20 T-nuts standard. Oversized dimensions of 20" or greater in width, depth or back heights over 23" will incur upgrade with additional charge.

Note: Backs with curved foam option will have an outside contour height of 1" tapered for pediatrics and 1.5" tapered for adults.

"Full width" Custom Configured Seating Package

(Part No. 13020-SP10)

Seat Features:

- Seat "full-width" with 1" soft Visco-Cel foam over ½" base etha-foam
- (2) Flush mount U-clamp pin-release hardware
- (2) rear seat rail tabs
- Track mount brackets

Back Features:

- I-Back "between rails" with curved foam modification
- 1" HR-Poly foam
- (2) knob-release hardware
- Adjustable seat-to-back bracket(s) (2" offset)
- Track mount brackets (Laterals only)

"Between rails" Custom Configured Seating Package

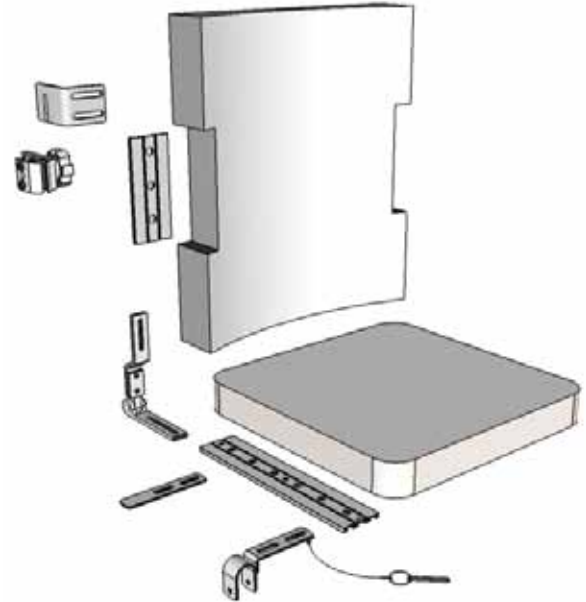
(Part No. 13020-SP20)

Seat Features:

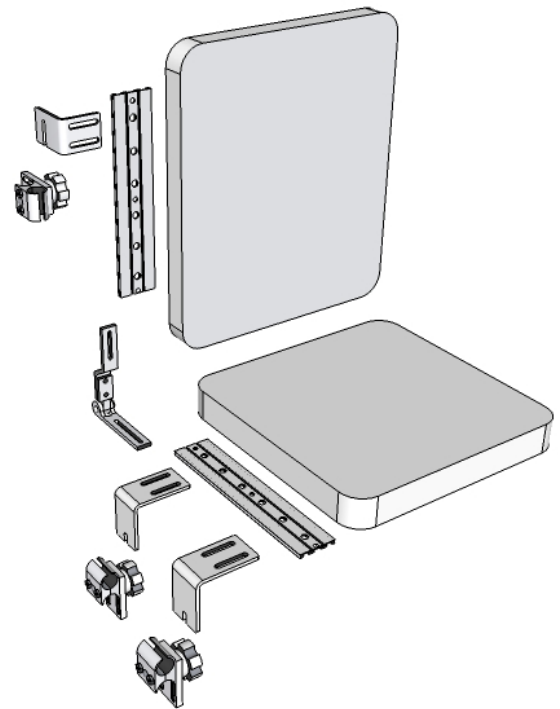
- Seat "between rails" with 1" soft Visco-Cel foam over ½" base etha-foam
- (4) knob-release hardware
- Track mount brackets

Back Features:

- Back "between rails" with 1" HR-Poly foam
- (2) Knob-release hardware
- Adjustable seat-to-back bracket(s) (2" offset)
- Track mount brackets



(Part No. 13020-SP10)



(Part No. 13020-SP20)

SECTION 1: SEATING PACKAGES

“Full width” Contoured Seating Package

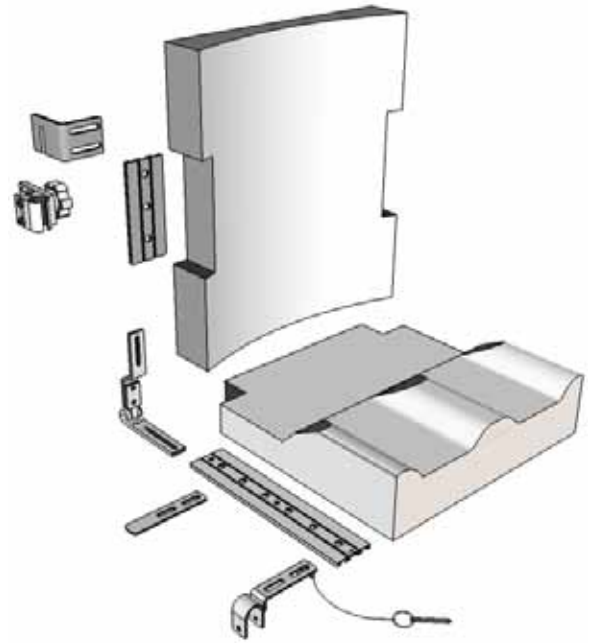
(Part No. 13020-SP30)

Seat Features:

- Contoured seat “full-width” with built-in abductor, adductors and anti-thrust and 1” soft Visco-Cel foam over ½” base etha-foam
- (2) Flush mount U-clamp pin-release hardware
- (2) rear seat rail tabs
- Track mount brackets

Back Features:

- I-Back “between rails” with curved foam modification
- 1” HR-Poly foam
- (2) Knob-release hardware
- Adjustable seat-to-back bracket(s) (2” offset)
- Track mount brackets (Laterals only)



(Part No. 13020-SP30)

“Between rails” Removable Seat Cushion Package

(Part No. 13020-SP40)

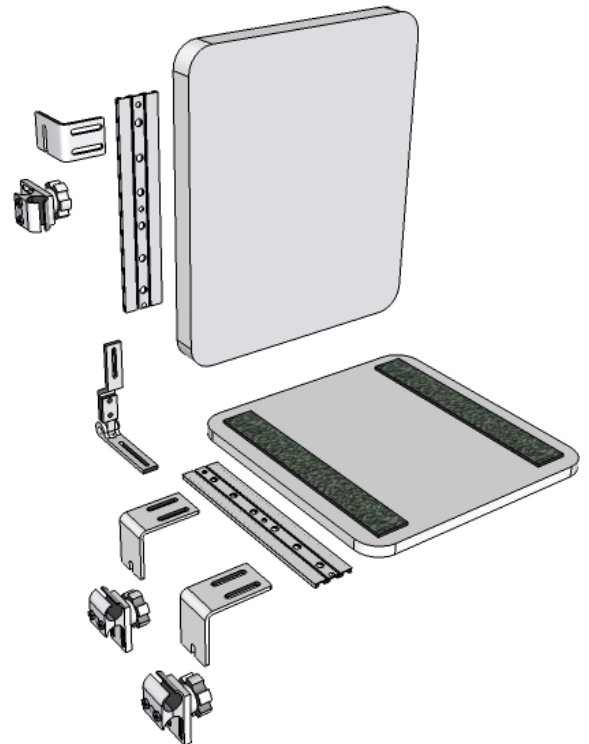
Note: seat cushion not included.

Seat Features:

- Seat base “between rails” with Velcro on top to accept cushion
- (4) Knob-release hardware
- Track mount brackets

Back Features:

- Back “between rails” with 1” HR-Poly foam
- (2) Knob-release hardware
- Adjustable seat-to-back bracket(s) (2” offset)
- Track mount brackets



(Part No. 13020-SP40)

For a complete list of substitutions, modifications, foam options and upholstery, see our Seating Package order forms.

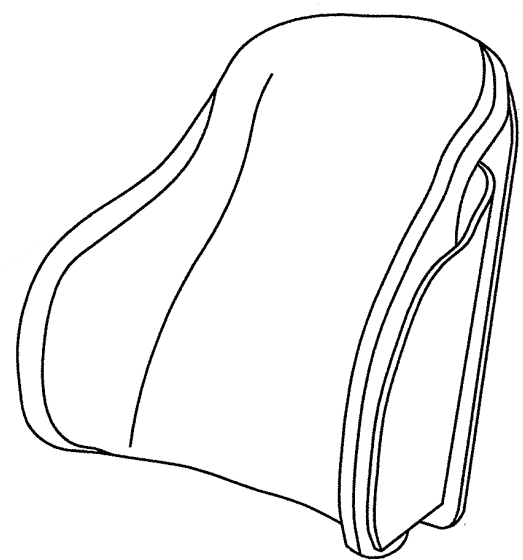
SECTION 2: BACKS

Accu-Fit Contoured Back™ HCPC E2617

Provides each user with support exactly where it's needed. This custom made-to-order ergonomically designed back promotes good posture along with exceptional comfort. With our unique modular lateral support system, it's easy to achieve the fit your looking for.

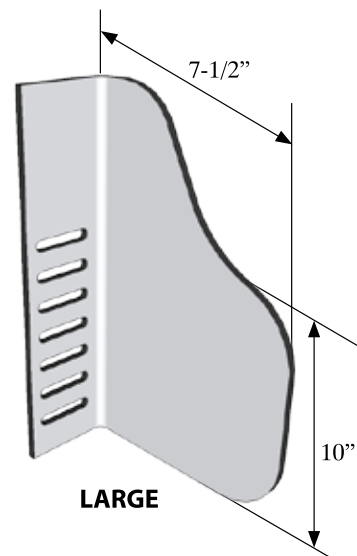
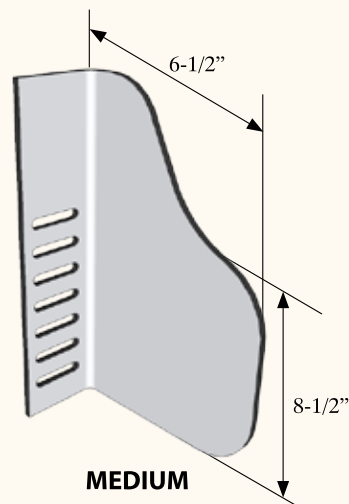
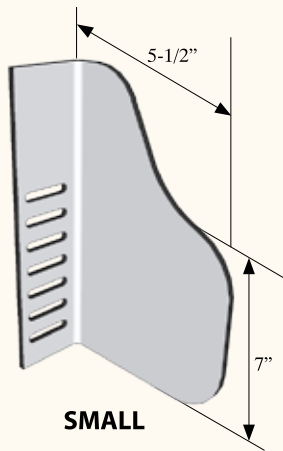
Standard Features:

- **NEW** "Quick Clamp" angle adjustable removable brackets
- **NEW** Track mount brackets (double slotted)
- Choose from 3 standard lateral sizes
- Integrated laterals, width and height adjustable
- Adjustable/removable lumbar support
- Zippered closure Dartex cover
- ½" base layer Neoprene foam
- 1" top layer HR-Poly foam
- ½" multi-ply wood
- ¼-20 T-nuts



Accu-Fit Contoured Back™	
*Part No.	Lateral Size
13009-02	Accu-Fit Back™ w/Small laterals
13009-03	Accu-Fit Back™ w/Medium laterals
13009-04	Accu-Fit Back™ w/Large laterals
13009-05	Accu-Fit Back™ w/Custom laterals

*See order form for complete ordering details



SECTION 2: BACKS

Accu-Fit PLUSH Back™ HCPC E2620

This unique back provides incredible comfort and support. Easily add or remove the fiber-fill material from the individual zippered pillow bladders to create the custom feel your client is looking for.

Standard Features:

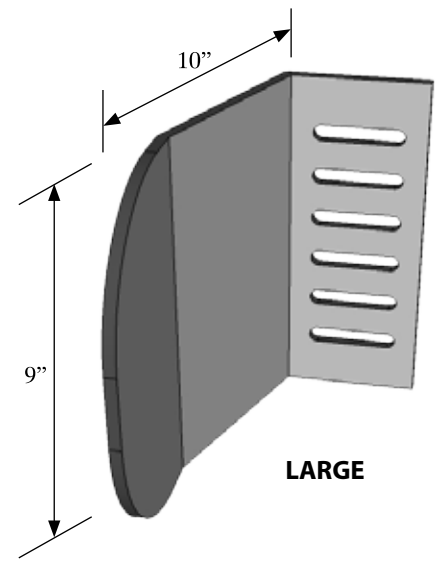
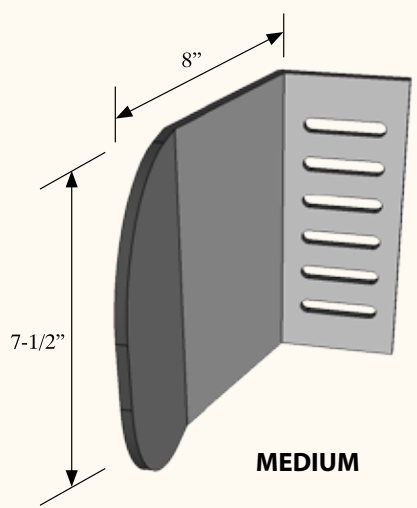
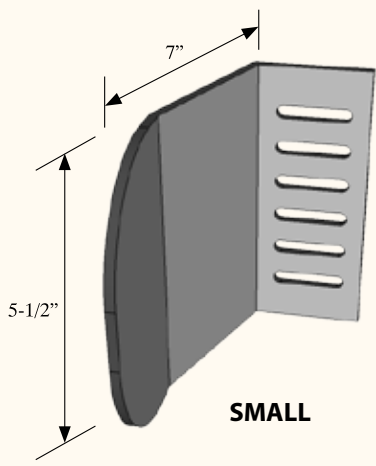
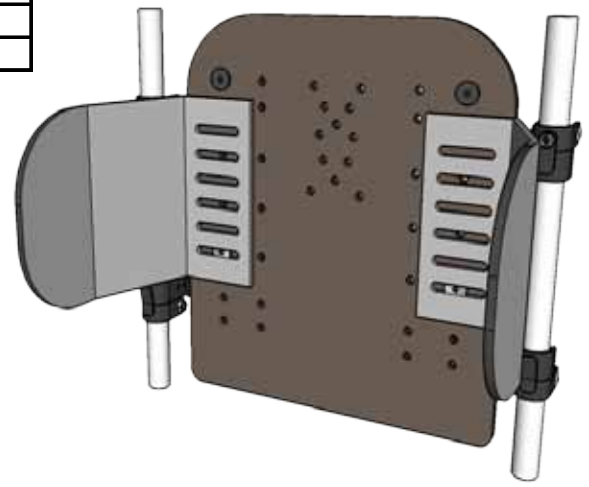
- Available in 7 different sizes
- Track mount J & L hardware kit
- 1 pair laterals, Mix or match all 3 sizes
- Modular lateral support system



Accu-Fit PLUSH Back™			
*Part No.	Frame Width	Back Width	Back Height
13009-100	13-15"	11"	13.5"
13009-101	15-17"	13"	15.5"
13009-102	15-17"	13"	19"
13009-105	17-19"	15"	18"
13009-106	17-19"	15"	21"
13009-109	19-21"	17"	20"
13009-110	19-21"	17"	23"

*See order form for complete details

For a complete listing of back options, foam upgrades and upholstery options, See Back Cushion Order Forms.



SECTION 2: BACKS

Custom Contoured Back (Part No. 13009-SBA) HCPC E2617
 This contoured back is built to your exact specifications, it includes built-in foam lateral supports and mounting hardware.

Standard Features:

- J & L track mount hardware kit
- Zippered closure Dartex cover
- 1" HR-Poly foam
- 1/2" multi-ply wood
- 1/4-20 T-nuts

Pediatric Back-Planar (Part No. 13009-PE) HCPC E2291
 Starts as a planar back however add all options & modifications necessary to meet your client's custom needs, back dimensions up to 15" Wide.

Note: See pediatric back order form for recommendations for widths of 10-12"

Standard Features:

- J & L track mount hardware kit
- Zippered closure Dartex cover
- 1" HR-Poly foam
- 1/2" multi-ply wood
- 1/4-20 T-nuts



Curved ABS & I-Back mods shown.

Part No.	Back Modifications/upgrades
13010-C	Curved ABS Back mod
13010-I	I-Back mod
13010-T	T-Back mod
13011-RT	Rounded top mod
13010-LS	Foam lumbar support mod
13010-BI	Bi-angular hinged mod
13010-TM2	Track mount hardware option
Uph-06	Embroidery / Monogram option



Bi-angular Hinged Mod

For a complete listing of back options, foam upgrades and upholstery options, See Back Cushion Order Forms.

SECTION 2: SEATS

Custom Contoured Seat (Part No. 13003-SA) HCPC E2609
Choose from up to 3 standard contour build-ups **Mild**, **Moderate** (standard) or **Aggressive** Contouring. Or create exactly what dimension/shapes are needed, by filling out our contoured seat order form. Add all options & modifications necessary to meet your client’s specific needs.

Standard Features:

- (4) Track mount U-Clamp hardware
- Zippered closure Dartex cover
- 1" HR-Poly foam
- ½" base etha-foam
- ½" multi-ply wood
- ¼-20 T-nuts

Custom Configured Seat (Part No. 13003-02) HCPC E2609
This Seat is designed to offer the selection of individually priced options & modifications. Add all options & modifications necessary to meet your client’s specific needs.

Standard Features:

- Track mount J & L hardware kit
- Zippered closure Dartex cover
- 1" HR-Poly foam
- ½" base etha-foam
- ½" multi-ply wood
- ¼-20 T-nuts

Pediatric Seat-Planar (Part No. 13002-PE) HCPC E2292
Starts as a planar seat however add all options & modifications necessary to meet your client’s custom needs, seat dimensions up to 15" Wide.

Standard Features:

- (4) Track mount U-Clamp hardware
- Zippered closure dartex cover
- 1" HR-Poly foam
- ½" multi-ply wood
- ¼"-20 T-nuts

Part No.	Seat Modifications/upgrades
13003-AT	Anti-Thrust mod
13005-LLD	Leg Length discrepancy (LLD) mod
13007-CS	Contoured Seat foam mod
13007-22	Cushion- <i>Separated from wood</i>
13008-IC	Incontinent Inner-liner cover
13008-WS	Wedge Seat option
13010-TM2	Track mount hardware option



Contoured Seat shown with notched growth-tail mod



Configured Seat shown with LLD Mod & Gel Overlay



Incontinent Inner-Liner Cover Shown

For a complete listing of seat options, foam upgrades and upholstery options see Seat cushion order forms.

SECTION 3: BACK HARDWARE KITS

Adjustable J & L Kits

- Kit includes (4) J & L's, (2) Swivel finger tabs
And (2) Bent fixed finger tabs
- Allows for maximum adjustability
- Use with Seat or Back applications

*Note: Kits utilizing 9-hole J's provide maximum rearward back depth or maximum drop-in seat adjustability. Kits utilizing 9-hole L's provide maximum forward back depth or maximum seat height.



	* Full-Width Kit		* Drop-In Kit	
	2-Hole J's / 9-Hole L's	4-Hole J's / 7-Hole L's	7-Hole J's / 7-Hole L's	9-Hole J's / 3-Hole L's
7/8" Tube	2300-061	2300-062	2300-063	2300-064
1" Tube	2300-011	2300-012	2300-13	2300-014

4-Point Back Knob-Release Kits

Standard Features:

- (4) Knob-release brackets
- (4) Back mount brackets
- Up to 2.5" depth adjustment

4-Point (Back) Knob-release kits	
7/8" Tube	2450-78
1" Tube	2450-01



**"Classic" Quick release and Depth-adjustable
Quick release hardware kits**

- Both kits include (2) spring loaded quick release brackets, (2) drop hook brackets and fasteners
- Depth-adjustable kits only include (4) 3" depth-adjustable mount brackets

	"Classic" Quick Release Kits	
	Standard	Depth-Adjustable
7/8" Tube	1006-BK	1006-AM
1" Tube	1006-BK1	1006-AM1



SECTION 3: SEAT HARDWARE KITS

U-Clamp Hardware Kits

- Kit includes (4) U-Clamps, pins and all fasteners
- Uses locking pin or (optional) bolt to secure brackets to frame rail
- Ideal for limited mounting space

	Flush Mount U-Clamp Kit	1" Drop U-Clamp Kit
7/8" Tube	2199-06	2200-06
1" Tube	2199-01	2200-01

4-Point Seat Knob-Release Kits

Standard Features:

- (4) Knob-release brackets
- (4) Seat mount brackets
- Up to 2.5" height/depth adjustment
- Saddle cutout to mount on double rail

4-Point (Seat) Knob-release kits	
7/8" Tube	2400-78
1" Tube	2400-01

Fixed Drop Hook Kits

- Kit includes (4) drop hooks
- (2) Swivel finger tabs
- (2) Bent fixed finger tabs

	1" Drop	1.5" Drop	2" Drop	2.5" Drop	3" Drop
7/8" Tube	2220-01	2221-01	2222-01	2223-01	2224-01
1" Tube	2211-01	2212-01	2213-01	2214-01	2215-01



SECTION 4: LATERAL TRUNK SUPPORTS

Lift & Swing-away Trunk Support (Each) (Part No. 3030-04XX)
HCPC E0956/E1028

- Straight & 1" Offset Adaptor plate included
- Includes bracket & pad
- XX=must specify pad type/size below



Quick Release/Adjustable Trunk Support (Each)
Zero inch offset bracket (Part No. 3040-02XX) HCPC E0956/E1028

- Includes bracket & pad
- XX=must specify pad type/size below



Quick Release/Adjustable Trunk Support (Each)
One inch offset bracket (Part No. 3041-02XX) HCPC E0956/E1028

- Includes bracket & pad
- XX=must specify pad type/size below



*Part No.	Type	Size
XX = add to lateral trunk support Part no.		
*10	ABS-Flat	3.5x5.5"
*11	ABS-Flat	4.5x6.5"
*12	ABS-Flat	5.5x7.5"
*20	ABS-Curved	3.5x5.5"
*21	ABS-Curved	4.5x6.5"
*22	ABS-Curved	5.5x7.5"
*30	Wood-Flat	3.5x5.5"
*31	Wood-Flat	4.5x6.5"
*32	Wood-Flat	5.5x7.5"

*Use with lateral trunk support only

Note: All Lateral pads come with 1/2" high density Neoprene foam. Please specify either standard or reversed dartex upholstery.

SECTION 4: LATERAL TRUNK SUPPORTS

Slim-Fit™ Lateral Trunk Support – HCPC E0956

- Includes Trunk bracket & pad (Each)
- XX=must specify pad type/size below

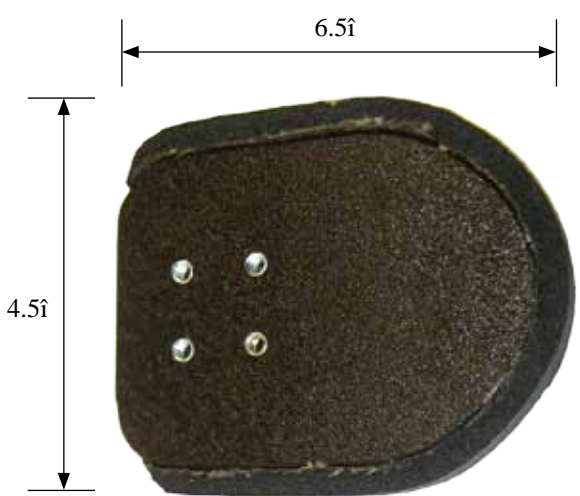
Slim-Fit™ Lateral Trunk Support (Each)

*Part No.	Bracket Description
3018-02XX	Straight / 5" Height
3018-01XX	Straight / 6" Height
3025-02XX	1" Offset / 5" Height
3025-01XX	1" Offset / 6" Height
3017-02XX	2" Offset / 5" Height
3017-01XX	2" Offset / 6" Height



Trunk Support Pad – (Part No. 11017-M) HCPC K0108

- All Lateral Pads come with 1/2" high density neoprene foam.
- Specify either standard or reverse Dartex upholstery.



11017-M Shown

Lateral Trunk Support Pad-Only (Each)

Height	Depth	ABS-Flat	ABS-Curved	Wood-Flat
3.5"	5.5"	11017-S	11014-S	11020-S
4.5"	6.5"	11017-M	11014-M	11020-M
5.5"	7.5"	11017-L	11014-L	11020-L



SECTION 5: LATERAL THIGH SUPPORTS

Slim-Fit™ Lateral Thigh Support – HCPC E0956

- Includes bracket & pad (Each)
- XX=must specify pad type/size

Slim-Fit™ Lateral Thigh Support (Each)

*Part No.	Bracket Description
11070-5XX	Straight / 5" Height
11070-6XX	Straight / 6" Height
11070-7XX	1" Offset / 5" Height
11071-5XX	1" Offset / 6" Height
11071-6XX	2" Offset / 5" Height
11071-7XX	2" Offset / 6" Height



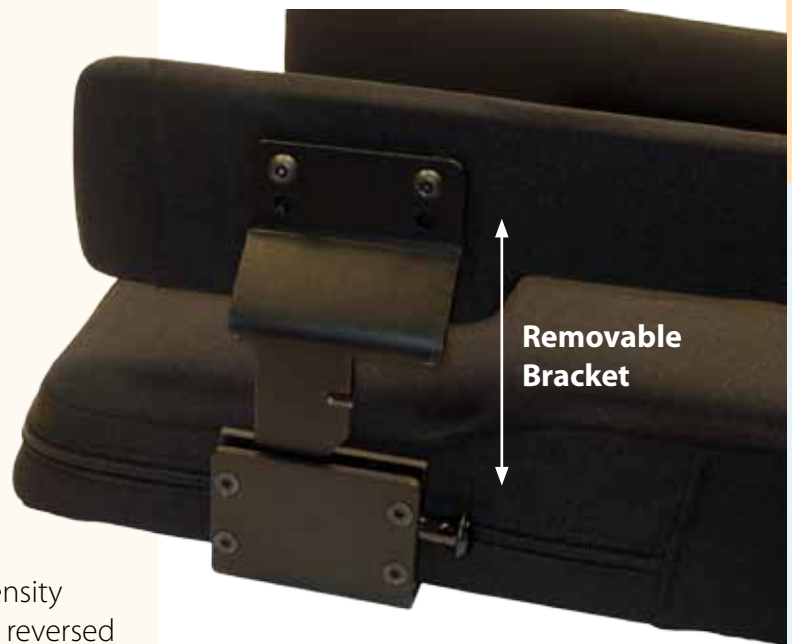
“Lever Release-Removable” Lateral Thigh Support (Each)

(Part No. 11072-5XX) HCPC E0956/E1028

- Straight & 1" Offset Adaptor plate included
- Includes (1) bracket & pad
- XX=must specify pad type/size

*Part No.	Type	Size
XX = add to lateral thigh support Part no.		
*10	ABS	3.5x5.5"
*11	ABS	4.5x6.5"
*12	ABS	5.5x7.5"
*30	Wood	3.5x5.5"
*31	Wood	4.5x6.5"
*32	Wood	5.5x7.5"
*33	Wood	Rectangular
*34	Wood	Contoured

*Use with lateral thigh support only



Contoured Pad shown.

Note: All Lateral thigh pads come with ½" high density Neoprene foam. Please specify either standard or reversed dartex material.

SECTION 5: MEDIAL THIGH SUPPORTS

Flip-Down/Removable Abductor HCPC E0957/E1028

- Bracket has dual locking mechanism (under seat = ease of transfers)
- Pad includes etha-foam (high density) base foam covered with 1/2" Soft Sun-Mate



Flip-Down/Removable Abductor Pads				
Pad dimensions (inches)			Part No.	
Width	Length	Height	Std-Dartex	Rev-Dartex
3	4	3	11060-10	11060-101
4	5	3	11060-11	11060-111
5	6	3	11060-12	11060-121
Specify Custom Size			11060-15	11060-151



Econo-Removable Abductor HCPC E0957/E1028

- Knob allows upper bracket & pad to be removed
- Not recommended for clients who "Self-Transfer"
- Pad includes etha-foam (high density) base foam covered with 1/2" Soft Sun-Mate

Econo-Removable Abductor Pads				
Pad dimensions (inches)			Part No.	
Width	Length	Height	Std-Dartex	Rev-Dartex
3	4	3	11059-10	11059-101
4	5	3	11059-11	11059-111
5	6	3	11059-12	11059-121
Specify Custom Size			11059-15	11059-151



Abductor Pads-Only				
Pad dimensions (inches)			Part No.	
Width	Length	Height	Std-Dartex	Rev-Dartex
3	4	3	11061	11061-11
4	5	3	11062	11062-11
5	6	3	11063	11063-11
Specify Custom Size			11063-50	11063-51

SECTION 6: HEAD SUPPORTS

Comfort Max Headrest Pads (2 to choose from)
 Base is made of a pliable metal panel with a 1" ball socket.
 Padded with 1/2" high density neoprene foam and a 1" thick layer of super-soft Visco-Cel Foam.

- Removable zippered standard or reversed dartex cover.
- Substitute at no-charge, the breathable Air-mesh cover.



Air-Mesh Cover Shown

Molded Urethane Headrest Pads (4 to choose from)
 Base is made of a pliable metal panel with a 1" ball socket.
 Covered in a protective molded urethane foam that is easily wiped clean.



Tri-Panel Hinged Headrest Pads
 Comes as a set of 3 hinged (adult or pediatric) pads offering posterior and adjustable lateral head support. Made with 1/2" multi-ply wood, 1" socket adaptor interface, 1" Soft Visco-Cel foam.

- Standard Dartex upholstery.
- Specify other fabric choices and colors.



Offset Multi-Axis Brackets

- Better posterior range/adjustment
- Detachable bracket
- 1" ball socket



Offset Multi-Axis Bracket

Straight Multi-Axis Brackets

- Increased forward headrest positioning
- Detachable bracket
- 1" ball socket



Straight Multi-Axis Brackets

Flip-Down Brackets

- Simple lever-release flip-down feature
- Allows headrest to remain attached



Flip-Down Bracket

SECTION 6: HEAD SUPPORTS

Sway-Detachable Brackets

- Extended "Lateral Reach"
- Simple knob release Detaches headrest
- 2" or 4" horizontal offset bars available
- 1" or 7/8" ball sockets available

Sway-Fixed Brackets

- Extended "Lateral Reach"
- Non-removable
- 2" or 4" horizontal offset bars available
- 1" or 7/8" ball sockets available

Sway-Detachable Bracket



Sway-fixed Bracket



	Offset	Straight	Flip-Down	Sway-Detachable (2" offset bar) (4" offset bar)	Sway-Fixed (2" offset bar) (4" offset-bar)
9" Comfort Max (Dartex)	4008-40	4009-40	4006-40	4007-22-40 (2") 4007-44-40 (4")	4007-2-40 (2") 4007-4-40 (4")
9" Comfort Max (Reversed)	4008-39	4009-39	4006-39	4007-22-41 (2") 4007-44-41 (4")	4007-2-41 (2") 4007-4-41 (4")
11" Comfort Max (Dartex)	4008-42	4009-42	4006-42	4007-22-42 (2") 4007-44-42 (4")	4007-2-42 (2") 4007-4-42 (4")
11" Comfort Max (Reversed)	4008-41	4009-41	4006-41	4007-22-39 (2") 4007-44-39 (2")	4007-2-39 (2") 4007-4-39 (4")
9" Molded Pad	4008-10	4009-10	4006-10	4007-22-10 (2") 4007-44-10 (4")	4007-2-10 (2") 4007-4-10 (4")
11" Molded Pad	4008-11	4009-11	4006-11	4007-22-11 (2") 4007-44-11 (4")	4007-2-11 (2") 4007-4-11 (4")
Head/Neck Pad	4008-12	4009-12	4006-12	4007-22-12 (2") 4007-44-12 (4")	4007-2-12 (2") 4007-4-12 (4")
Contoured Pad	4008-13	4009-13	4006-13	4007-22-13 (2") 4007-44-13 (4")	4007-2-13 (2") 4007-4-13 (4")
Tri-Panel Hinged (Pediatric)	4008-50	4009-50	4006-50	4007-22-50 (2") 4007-44-50 (4")	4007-2-50 (2") 4007-4-50 (4")
Tri-Panel Hinged (Adult)	4008-53	4009-53	4006-53	4007-22-53 (2") 4007-44-53 (4")	4007-2-53 (2") 4007-4-53 (4")

SECTION 7: SEAT BELTS

We use only the highest quality materials to manufacture our wide array of seat belt products. Our ergonomically designed pelvic pads are made using Hyper-cel® material. A superior 3/8" thick, high density open cell polyurethane laminate material with breathable construction, higher elongation and excellent internal strength.

With 7 different buckle types and 3 different mounting options we're confident you'll find the belt you're looking for!

Belt Mounting Options:

- 

1. AMB - Adjustable Mount Brackets with belt anchor ends allow for a professional installation complete with mounting clamp kit, this option offers maximum adjustability.
- 

2. BA - Belt Anchor ends allows for belt/harness to attach using other mounting hardware or direct-to-frame mount.
- 

3. Holes Only - Comes with a single attachment point per belt side, no hardware included.



Metal Lever Latch



Metal Push Button



Side Release



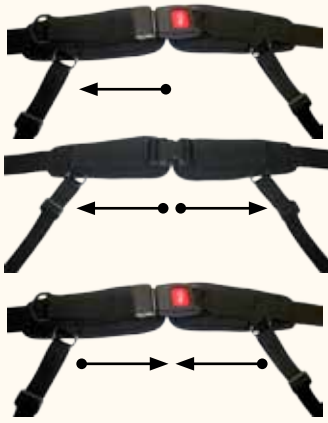
Plastic Push Button



	2-Point Padded Seat Belts				Buckle Type						
	Size	inches	Pad Size	Mounting Hardware	1" Side Release	1.5" Side Release	2" Side Release	1" Plastic Pushbutton	1.5" Metal Pushbutton	2" Metal Pushbutton	Metal Lever-Latch
Standard-Pull	42	Pediatric	AMB	11022-A1				11022-D1			
	42	Pediatric	BA	11022-A2				11022-D2			
	60	Youth	AMB		11022-B3				11022-E3		
	60	Youth	BA		11022-B4				11022-E4		
	80	Adult	AMB				11022-C5			11022-F5	11022-G5
	80	Adult	BA				11022-C6			11022-F6	11022-G6
Dual-Pull	42	Pediatric	AMB	11022-A7							
	42	Pediatric	BA	11022-A8							
	60	Youth	AMB		11022-B9						
	60	Youth	BA		11022-B10						
	80	Adult	AMB				11022-C11				
	80	Adult	BA				11022-C12				
Rear-Pull	42	Pediatric	AMB	11022-A13				11022-D13			
	42	Pediatric	BA	11022-A14				11022-D14			
	60	Youth	AMB		11022-B15				11022-E15		
	60	Youth	BA		11022-B16				11022-E16		
	80	Adult	AMB				11022-C17			11022-F17	11022-G17
	80	Adult	BA				11022-C18			11022-F18	11022-G18

Bulk packs available (6 or more), consult price list for pricing information.
 *Our positioning belts are designed as positioning aids only, not vehicle restraints.

SECTION 7: SEAT BELTS



4-Point Padded Seat Belts				Buckle Type						
	Size (inches)	Pad Size	Mounting Hardware	1" Side Release	1.5" Side Release	2" Side Release	1" Plastic Pushbutton	1.5" Metal Pushbutton	2" Metal Pushbutton	Metal Lever-Latch
Standard-Pull	42	Pediatric	AMB	11022-A19			11022-D19			
	42	Pediatric	BA	11022-A20			11022-D20			
	60	Youth	AMB		11022-B21			11022-E21		
	60	Youth	BA		11022-B22			11022-E22		
	80	Adult	AMB			11022-C23			11022-F23	11022-G23
Dual-Pull	42	Pediatric	AMB	11022-A25						
	42	Pediatric	BA	11022-A26						
	60	Youth	AMB		11022-B27					
	60	Youth	BA		11022-B28					
	80	Adult	AMB			11022-C29				
Rear-Pull	42	Pediatric	AMB	11022-A31			11022-D31			
	42	Pediatric	BA	11022-A32			11022-D32			
	60	Youth	AMB		11022-B33			11022-E33		
	60	Youth	BA		11022-B34			11022-E34		
	80	Adult	AMB						11022-F35	11022-G35
	80	Adult	BA						11022-F36	11022-G36



Non-Padded 2-Point Belts				Buckle Type						
	Size (inches)	Mounting Hardware	1" Side Release	1.5" Side Release	2" Side Release	1" Plastic Pushbutton	1.5" Metal Pushbutton	2" Metal Pushbutton	Metal Lever-Latch	
Standard-Pull	42	Holes	11022-A37			11022-D37				
	42	AMB	11022-A38			11022-D38				
	42	BA	11022-A39			11022-D39				
	60	Holes	11022-A40	11022-B40	11022-C40	11022-D40	11022-E40	11022-F40	11022-G40	
	60	AMB	11022-A41	11022-B41	11022-C41	11022-D41	11022-E41	11022-F41	11022-G41	
	60	BA	11022-A42	11022-B42	11022-C42	11022-D42	11022-E42	11022-F42	11022-G42	
	80	Holes		11022-B43	11022-C43		11022-E43	11022-F43	11022-G43	
	80	AMB		11022-B44	11022-C44		11022-E44	11022-F44	11022-G44	
	80	BA		11022-B45	11022-C45		11022-E45	11022-F45	11022-G45	
	Dual-Pull	42	Holes	11022-A46						
42		AMB	11022-A47							
42		BA	11022-A48							
60		Holes		11022-B49	11022-C49					
60		AMB		11022-B50	11022-C50					
60		BA		11022-B51	11022-C51					
80		Holes		11022-B52	11022-C52					
80		AMB		11022-B53	11022-C53					
	80	BA		11022-B54	11022-C54					

Bulk packs available (6 or more), consult price list for pricing information.
 *Our positioning belts are designed as positioning aids only, not vehicle restraints.

SECTION 8: CHEST SUPPORTS

Hyper-cel® - A dynamic 3/8" thick high density open cell polyurethane laminate material with breathable construction, higher elongation and superior internal strength. Adjustable side-release buckles and belt anchor ends for easy adjustability.

Vinyl-Face – Harnesses start with Hyper-cel® laminate pad and a sewn vinyl-face material for a wipe clean surface.

No-Stretch – Harnesses start with Hyper-cel® laminate pad and have a sewn webbing strap attached to create a reinforced non-stretchable harness surface.

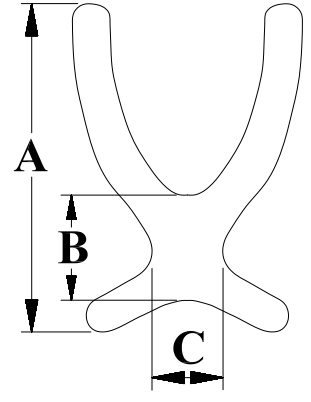


Harness Options	
11041-01	1" Strap Riser/Guides
11041-02	2" Strap Riser/Guides
11041-05	Clamp Mnt. Kit

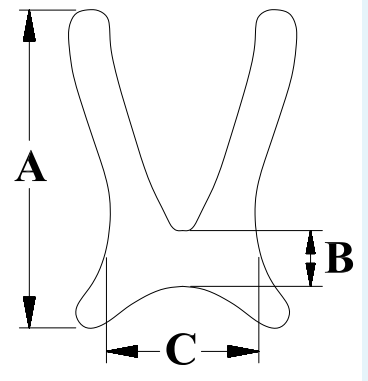
Bulk packs available (6 or more), consult price list for pricing information. Order the optional Clamp mounting kit for simple frame tubing attachment option.
*Our positioning belts are designed as positioning aids only, not vehicle restraints.

SECTION 8: CHEST SUPPORTS

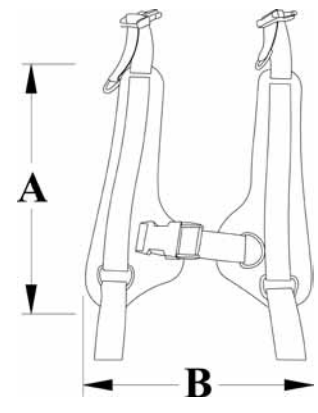
Standard Fit Harnesses						
Hyper-cel®	Zippered	Vinyl-Face	No-Stretch	A	B	C
11041-10	11041-20	11041-30	11041-40	14"	4"	4"
11041-11	11041-21	11041-31	11041-41	17"	5"	5"
11041-12	11041-22	11041-32	11041-42	20"	6"	6"
11041-13	11041-23	11041-33	11041-43	22"	7"	7"



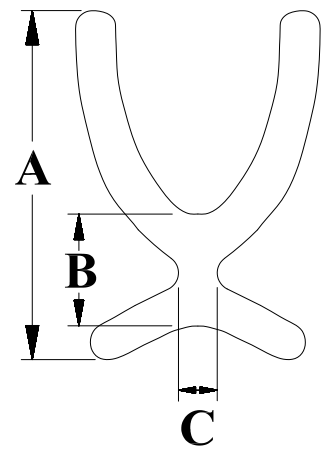
Butterfly Harness					
Hyper-cel®	Vinyl-Face	No-Stretch	A	B	C
11043-10	11043-30	11043-40	11"	2"	5"
11043-11	11043-31	11043-41	12"	2.5"	6"
11043-12	11043-32	11043-42	13.5"	4.5"	6"
11043-13	11043-33	11043-43	14.5"	4.5"	7"



"H2" Harness				
Hyper-cel®	Vinyl-Face	No-Stretch	A	B
11044-10	11044-30	11044-40	12"	7.5"
11044-11	11044-31	11044-41	14"	8"
11044-12	11044-32	11044-42	16.5"	8.5"
11044-13	11044-33	11044-43	19"	9"



Slim-Fit Harness				
Hyper-cel®	Vinyl-Face	A	B	C
11042-10	11042-30	14"	4"	1"
11042-11	11042-31	17"	5"	1"
11042-12	11042-32	20"	6"	1"
11042-13	11042-33	22"	7"	1.5"
11042-14	11042-34	24"	8"	2"



Bulk packs available (6 or more), consult price list for pricing information.
 Order the optional Clamp mounting kit for simple frame tubing attachment option.
 *Our positioning belts are designed as positioning aids only, not vehicle restraints.

SECTION 9: UPPER EXTREMITY SUPPORTS

Contoured arm support troughs HCPC 2209

- Durable ¼" ABS material
- Available in 12", 14", 16" lengths
- Comfortable 3/8" thick Lycra covered neoprene pad

Contoured arm support trough

Part #	Description
3500-01	12" Trough
3500-02	14" Trough
3500-03	16" Trough

Part No.	Mounting hardware / options
3500-40	Removable-adjustable 7/8" Mount
3500-42	Removable-adjustable 1" Mount
3501-8	ABS slide-on bracket 8"
3501-12	ABS slide-on bracket 12"
3502-3	Angle adjustable ball & socket 3/4" Mount
3502-7	Angle adjustable ball & socket 7/8" Mount
3505-01	Padded wrist strap 10"
3505-02	Padded wrist strap 12"
3505-03	Padded wrist strap 14"

Trays

"Foam" Transportation Trays HCPC E0950/K0108

This "Crash Tested" rigid foam tray can be used by wheelchair riders being transported in motor vehicles. A great idea for people who need upper extremity support to maintain an upright posture.

"Transportation trays are a unique, safe alternative to plastic or wood trays. This is the only tray my students use during bus rides!" ~Pau Lee PT, MA, ATP (Lakeview School)

Foam Transportation Trays

Part #	Description
12000-01	Small Tray
12000-02	Medium Tray
12000-03	Large Tray
12000-04	New Ex-Large

-See tray sizing chart for ALL full size trays, blanks and transportation trays -



3500-42 shown



3505-02 shown



SECTION 9: UPPER EXTREMITY SUPPORTS

Economy Style Poly-Trays HCPC E0950

Standard Features:

- Durable 3/8" Thick Clear Polycarbonate
- Stomach Cut-out
- 4 Sizes to choose from
- Slotted for Universal Knob-clamp hardware
(Sold Separately)

Economy Style Poly-Trays	
Part No.	Description
12012-11	Small Tray
12012-12	Medium Tray
12012-13	Large Tray
12012-14	Ex-Large Tray

Universal Knob-Clamp Mounting Hardware	
Part No.	Description
12002	Universal Knob-Clamp Hardware

Polycarbonate Trays-Complete HCPC E0950/K0108

Standard Features:

- 3/8" thick tray
- Stomach cut-out (standard)
- Tray rims-attached
- (2) Toggle clamps
- (2) Adjustable toggle mounting plates

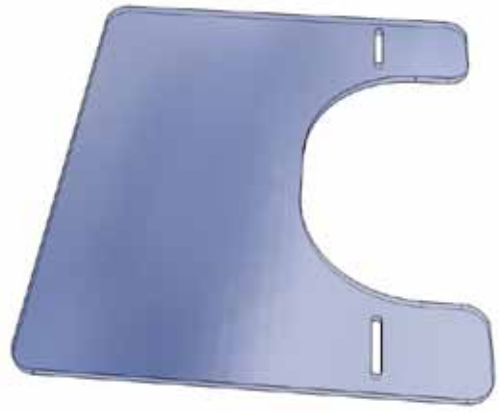
Polycarbonate Trays-Complete	
Part #	Description
12005	Small Tray
12006	Medium Tray
12007	Large Tray
12008	Ex-Large Tray

Polycarbonate Tray Blanks-Complete HCPC E0950/K0108

Standard Features:

- 3/8" thick tray
- Blank (no cut-outs)
- Tray rims-attached
- Toggle clamps
- Adjustable toggle mounting plates

Polycarbonate Tray Blanks-Complete	
Part #	Description
12012-01	Small Tray
12012-02	Medium Tray
12012-03	Large Tray
12012-04	Ex-Large Tray



Part #12002 Shown



SECTION 9: UPPER EXTREMITY SUPPORTS

Polycarbonate Tray Blanks HCPC E0950

Standard Features:

- 3/8" thick tray only
- Blank (no cut-outs)

Polycarbonate Tray Blanks	
Part #	Description
12013-01	Small Blank
12013-02	Medium Blank
12013-03	Large Blank
12013-04	Ex-Large Blank

HEMI-Half Lap Trays HCPC E0950

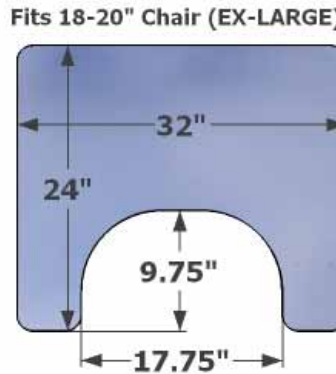
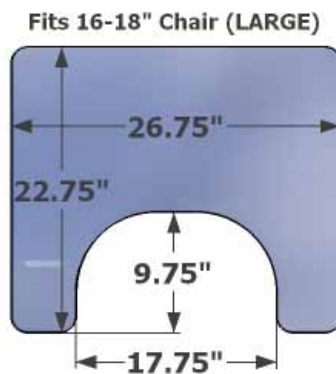
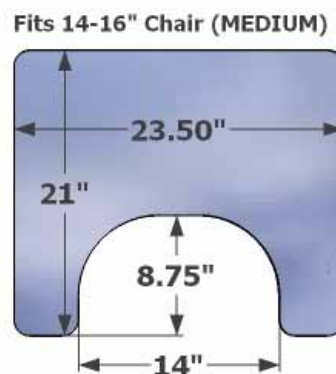
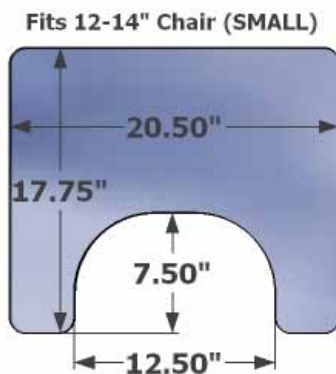
Standard Features:

- 1/4" thick polycarbonate tray
- Poly tray slide bracket (Desk or Full Length)

Hemi Half Lap Trays	
Left	Right
12003	12004



TRAY SIZING CHART



SECTION 9: UPPER EXTREMITY SUPPORTS

Tray Accessories

Tray hardware / Accessories	
Part No.	Description
12001	Vertical toggle clamp, each
12001-T	T-handle toggle clamp, each
12001-U	"U" tubular arm clamp for toggle, each
12002-8	8" ABS tray slides, pair
12002-12	12" ABS tray slides, pair
12002-J	"J" Style 8" ABS tray slides, pair
12002-J12	"J" Style 12" ABS tray slides, pair
12009	Full-Tray pad, vinyl cover
12025	Slotted toggle plates, pair
12026	Double slotted toggle plates, pair
12027	Tray-Rims polycarbonate (set of 3)
12029	9" ABS tray swivel brackets, pair
12029-F	12" ABS tray swivel brackets, pair



GEL Armrest Pads HCPC K0019

- Poly-Gel pads with molded base
- Multiple T-nut mounting locations

GEL Armrest Pads (Each)	
Part #	Description
9004	2"x12"
9003	3.5"x12"
9003-14	3.5"x14"
9003-16	3.5"x16"



GEL "Stick On" Pads HCPC K0108

- Poly-Gel pads with adhesive base
Ideal for Sticking to hard surfaces!

GEL "Stick On" Pads (Each)	
Part #	Description
9000	3" x 4"
9001	4" x 8"
9002	<i>EGG Shape</i>



SECTION 10: LOWER EXTREMITY SUPPORTS

Removable “Knee Adductors” Hanger-Mount

HCPC E0956/E1028

Complete assembly comes with soft poly-gel 3”x4” pad, multi-positioning bracket allows for infinite adjustment. Easy to use “Lever Release” bracket.

Each - 7/8” Removable Knee Adductor assembly
(Part No. 11067-E)

Pair - 7/8” Removable Knee Adductor assembly
(Part No. 11067-2)

Each - 1” Removable Knee Adductor assembly
(Part No. 11068-E)

Pair - 1” Removable Knee Adductor assembly
(Part No. 11068-2)

Fixed “Knee Adductors” Hanger-Mount

HCPC E0956

Complete assembly comes with soft poly-gel 3”x4” pad, multi-positioning bracket allows for infinite adjustment.

7/8” Fixed Knee Adductor assembly (Each)
(Part No. 11064-E)

7/8” Fixed Knee Adductor assembly (Pair)
(Part No. 11064-2)

Each - 1” Fixed Knee Adductor assembly
(Part No. 11065-E)

Pair - 1” Fixed Knee Adductor assembly
(Part No. 11065-2)

Fixed “Knee Buttons” Hanger-Mount

(Part No. 11066) HCPC E0956

Pair complete comes with (2) soft poly-gel 4” round pads, (2) clamp style mounting brackets that fit 7/8” – 1” tubing.



SECTION 10: LOWER EXTREMITY SUPPORTS

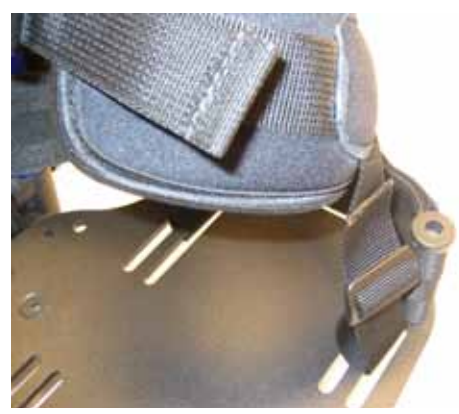
Ankle Cuffs™ Foot Positioning Straps HCPC K0108
 These ergonomically designed foot positioning straps are made using Hyper-cel® material. A superior 3/8" thick, high density open cell polyurethane laminate material with breathable construction, higher elongation and excellent internal strength. Ankle Cuffs™ help stabilize the foot/ankle while allowing limited movement.

Mounting Options:

1. **AMB - Adjustable Mount Brackets** with belt anchor ends offer maximum strap adjustability and (2) adjustable slide bars for attaching webbing to slotted footplates.
2. **Holes Only**- Comes with multiple attachment holes per side, No hardware included.

Ankle Cuffs™ Velcro-Release Straps			
	Small 6-8"	Medium 8-10"	Large 10-12"
AMB	110451-S	110451-M	110451-L
Holes-Only	11045-S	11045-M	11045-L

Ankle Cuffs™ Side-Release Straps			
	Small 6-8"	Medium 8-10"	Large 8-10"
AMB	110452-S	110452-M	110452-L
Holes-Only	110453-S	110453-M	110453-L



Adjustable Slide Bar shown



Holes Only shown



AMB shown

SECTION 10: LOWER EXTREMITY SUPPORTS

Foot Buckets Padded, Complete-Pairs HCPC K0108

Standard Features:

- (4) clamp mount brackets & fasteners
- (4) L-Bars (1.5" Length) & fasteners
- (2) Hyper-cel® foot bucket pads, Velcro attached



COMPLETE-Pairs Foot Buckets			
	7/8" Clamp Mount	1" Clamp Mount	Omit Mounting Hdwr
5" Wide	11035-90	11035-901	11035-90X
6" Wide	11036-00	11036-001	11036-00X
7" Wide	11036-01	11036-011	11036-01X
8" Wide	11036-02	11036-021	11036-02X
9" Wide	11036-03	11036-031	11036-03X
10" Wide	11036-04	11036-041	11036-04X

One-Piece Foot Buckets Padded HCPC K0108

Standard Features:

- (4) clamp mount brackets & fasteners
- (4) L-Bars (1.5" Length) & fasteners
- One-piece Hyper-cel® foot bucket pad, Velcro attached



One-Piece Foot Buckets			
	7/8" Clamp Mount	1" Clamp Mount	Omit Mounting Hdwr
12.5" Wide	11037-00	11037-001	11037-00X
14.5" Wide	11037-01	11037-011	11037-01X
16.5" Wide	11037-02	11037-021	11037-02X

SECTION 10: LOWER EXTREMITY SUPPORTS

LEFT-SIDE Only Foot Buckets Padded HCPC K0108

Standard Features:

- (2) clamp mount brackets & fasteners
- (2) L-Bars (1.5" Length) & fasteners
- (1) Hyper-cel® foot bucket pad, Velcro attached



(LEFT-SIDE Only) Individual Foot Buckets			
	7/8" Clamp Mount	1" Clamp Mount	Omit Mounting Hdwr
5" Wide	11036-08	11036-081	11036-08X
6" Wide	11036-10	11036-101	11036-10X
7" Wide	11036-20	11036-201	11036-20X
8" Wide	11036-30	11036-301	11036-30X
9" Wide	11036-40	11036-401	11036-40X
10" Wide	11036-50	11036-501	11036-50X

RIGHT-SIDE Only Foot Buckets Padded

HCPC K0108

Standard Features:

- (2) clamp mount brackets & fasteners
- (2) L-Bars (1.5" Length) & fasteners
- (1) Hyper-cel® foot bucket pad, Velcro attached



(RIGHT-SIDE Only) Individual Foot Buckets			
	7/8" Clamp Mount	1" Clamp Mount	Omit Mounting Hdwr
5" Wide	11036-09	11036-091	11036-09X
6" Wide	11036-11	11036-111	11036-11X
7" Wide	11036-21	11036-211	11036-21X
8" Wide	11036-31	11036-311	11036-31X
9" Wide	11036-41	11036-411	11036-41X
10" Wide	11036-51	11036-511	11036-51X

SECTION 12: LOWER EXTREMITY SUPPORTS

**Angle/Adjustable Footrests,
Complete-Each** HCPC K0040

Standard Features:

- (1) "L" extension tube (6" or 12" length)
- (1) "Tube Clamp" Dual clamp (7/8" or 1" mount)
- (1) Angle/adjustable socket collar-to-footplate
- (1) Aluminum foot plate

Angle/Adjustable Footrests Complete with 6" Extension Tube (Each)		
Size	7/8" Tube Clamp	1" Tube Clamp
4"x8"	11057-00	11057-01
5"x10"	11057-10	11057-11

Angle/Adjustable Footrests Complete with 12" Extension Tube (Each)		
Size	7/8" Tube Clamp	1" Tube Clamp
4"x8"	11057-02	11057-03
5"x10"	11057-12	11057-13

Toe/Ankle Straps-Pair HCPC E0951

Standard Features:

- (2) Adjustable Belt anchor ends
- (2) adjustable slide bars for attaching webbing to slotted footplates

Toe/Ankle Straps (Pair)			
Size	Padded	Non-Padded	Adjustment Range
Child	11001	11004	7 to 9"
Youth	11002	11005	8.5 to 12.5"
Adult	11003	11006	9 to 13"
X-Large	11003-XL	11006-XL	11.5 to 17"

ABS-Padded Heel Cups-Pair Part No. 11013 HCPC E0951

Standard Features:

- (2) Universal (Right or Left) Heel cups
- (2) Pads (Velcro attached)

ABS heel cups can be heated for width adjustability



Padded Strap shown



11013 shown

SECTION 10: LOWER EXTREMITY SUPPORTS

Webbing Heel Loops-Pair HCPC E0951
 Child Heel Loops, Pair Part No. 11011
 Adult Heel Loops, Pair Part No. 11012
 Adjustable Heel Loops, Pair Part No. 11012-1



Leather Toe/Ankle Straps-Pair HCPC E0951
 Child Leather Straps, Pair Part No. 10957
 Adult Leather Straps, Pair Part No. 10958



Amputee/Stump Support (Fixed Angle) HCPC E0959
 Standard fixed angle hanger-mount bracket with
 7x10" support pad



Amputee Support (Fixed Angle)	
7/8" Tube Clamp	1" Tube Clamp
11050	11050-01

Amputee/Stump Support (Angle Adjustable) HCPC E0959
 High mount angle adjustable mounting hardware
 with 7x10" support pad



Amputee Support (Angle Adjustable)	
7/8" Tube Clamp	1" Tube Clamp
11050-10	11050-11

SECTION 11: DO-IT-YOURSELF

Part No.	Adhesive Sprays / Cleaner
7012	(CAN) 3M Foam Fast #74 "Classic"
7012-CS	(CASE of 12) 3M Foam Fast #74 "Classic"
7022	(CAN) 3M Super 77 "All Purpose"
7017	(CAN) 3M High Strength #90
7017-CS	(CASE of 12) 3M High Strength #90
7021	(CAN) 3M High Tack #76
7021-CS	(CASE of 12) 3M High Tack #76
7016	(CAN) 3M Neoprene Contact #80
7016-CS	(CASE of 12) 3M Neoprene Contact #80
7018	(CAN) 3M Industrial "Citrus Cleaner"



Part No.	Foam Sheets
7000	Visco-Cel "Super Soft" 1/2" x 16" x 37" Sheet
7000-01	Visco-Cel "Super Soft" 1" x 16" x 37" Sheet
7000-10	Visco-Cel "Soft" 1/2" x 16" x 37" Sheet
7000-11	Visco-Cel "Soft" 1" x 16" x 37" Sheet
7001	Sunmate "Soft" 1/2" x 16" x 37" Sheet
7001-01	Sunmate "Soft" 1" x 16" x 37" Sheet
7001-10	Sunmate "Medium" 1/2" x 16" x 37" Sheet
7002	Sunmate "Medium" 1" x 16" x 37" Sheet
7003-1	1# HR Soft 1/4" x 24" x 48" Sheet
7003-2	1# HR Soft 1/2" x 24" x 48" Sheet
7003-3	1# HR Soft 1" x 24" x 48" Sheet
7004	NEW 2.5# HR Medium Firm 1/2" x 24" x 48" Sheet
7004-01	NEW 2.5# HR Medium Firm 1" x 24" x 48" Sheet
7007	Etha foam - high density - 1/2" x 24" x 54"
7008	Etha foam - high density 1" x 24" x 54"
7009	Etha foam - high density - 2" x 24" x 54"



Part No.	Polymer Gel Sheets
7010-1	FLAT Sheet 16" x 16"
7010-2	FLAT Sheet 18" x 18"
7010-3	FLAT Sheet 20" x 20"
7010-10	CUBED Sheet 16" x 16"
7010-11	CUBED Sheet 18" x 18"
7010-12	CUBED Sheet 20" x 20"



SECTION 11: DO-IT-YOURSELF

Webbing (50 Yard Roll)

Part No.	Webbing
5001	1" Webbing Polypropylene
5002	1.5" Webbing Polypropylene
5003	2" Webbing Polypropylene

Hook & Loop Fastener (50 Yard Roll)

Part No.	Hook & Loop Fastener
5010	1" Hook (Sew On)
50111	1" Loop (Sew On)
5012	1" Hook (Adhesive)
5013	1" Loop (Adhesive)
5014	1.5" Hook (Adhesive)
5015	1.5" Loop (Adhesive)
5016	2" Hook (Sew On)
5017	2" Loop (Sew On)
5018	2" Hook (Adhesive)
5019	2" Loop (Adhesive)

Heavy-Duty "Dual Lock" (4.9 yards)

Part No.	Fastener "Heavy-Duty"
5020	1" CLEAR Dual-Lock (Adhesive)
5021	1" BLACK Dual-Lock (Adhesive)

Mounting Hardware (Each)

Fasteners sold separately

Part No.	Adjustable Drop Hooks
2230	1-Hole L bracket
2231	2-Hole L bracket
2232	3-Hole L bracket
2233	5-Hole L bracket
2234	7-Hole L bracket
2235	9-Hole L bracket
2240	1-Hole J hook (7/8" tubing)
2241	2-Hole J hook (7/8" tubing)
2242	4-Hole J hook (7/8" tubing)
2243	7-Hole J hook (7/8" tubing)
2244	9-Hole J hook (7/8" tubing)
2249	1-Hole J hook (1" tubing)
2251	2-Hole J hook (1" tubing)
2252	4-Hole J hook (1" tubing)
2253	7-Hole J hook (1" tubing)
2254	9-Hole J hook (1" tubing)



SECTION 11: DO-IT-YOURSELF

Mounting Hardware (Each)

Fasteners sold separately

Part No.	Mounting Hardware
1001B	"Classic" Quick release bracket-LEFT
1002B	"Classic" Quick release bracket-RIGHT
1013	"Classic" Back hook mount-LEFT
1014	"Classic" Back hook mount-RIGHT
1010	1" Biting Clamp with Lug bolt (Black)
1012	7/8" Biting Clamp with Lug bolt (Black)
1004	1" Biting Clamp (Chrome)
1004-PC	1" Biting Clamp (Black)
1005	7/8" Biting Clamp (Chrome)
1005-PC	7/8" Biting Clamp (Black)
2009	7/8" Fixed Finger Clamp
2011	1" Fixed Finger Clamp
2012	7/8" Swivel Finger Clamp
2013	1" Swivel Finger Clamp
1023-PC	1" Depth-Adj. Clamp w/Lug bolt
1024-PC	7/8" Depth-Adj. Clamp w/Lug bolt

Mounting Hardware (Each)

Fasteners sold separately

Part No.	Fixed Drop Hooks
2211	1" Drop Hook, 1" tubing
2212	1.5" Drop Hook, 1" tubing
2213	2" Drop Hook, 1" tubing
2214	2.5" Drop Hook, 1" tubing
2215	3" Drop Hook, 1" tubing
2220	1" Drop Hook, 7/8" tubing
2221	1.5" Drop Hook, 7/8" tubing
2222	2" Drop Hook, 7/8" tubing
2223	2.5" Drop Hook, 7/8" tubing
2224	3" Drop Hook, 7/8" tubing
2198	Flush Mount U-clamp, 7/8" tubing (pin included)
2199	Flush Mount U-clamp, 1" tubing (pin included)
2200	1" Drop U-clamp, 7/8" tubing (pin included)
2201	1" Drop U-clamp, 1" tubing (pin included)
2197P	Pull Pin/Release (U-clamp)

1001B shown



1012 shown



1023-PC shown



2211 shown



2199 shown



SECTION 11: DO-IT-YOURSELF

Tubing 48" Rods (Each)

Part No.	Metal Tubing 48"
8004	3/4" Chrome Tubing
8005	7/8" Chrome Tubing
8006	1" Chrome Tubing
8007	3/4" Black Tubing
8008	7/8" Black Tubing
8009	1" Black Tubing



ABS Sheets

Part No.	ABS Sheets
8001	ABS 1/8" x 24" x 48"
8002	ABS 1/4" x 24" x 48"



Tube Clamps (Each)

Part No.	Tube Clamps (7/8" diameter)
1029-3	3/4" biting clamp, 3" length
1029	3/4" biting clamp, 6" length
1028-3	7/8" biting clamp, 3" length
1028	7/8" biting clamp, 6" length
1030-3	1" biting clamp, 3" length
1030	1" biting clamp, 6" length



Sold in packages of 10

Part No.	Side Release buckles
5007	1" Side Release
5007-01	1" Dual-Pull Side Release
5008	1.5" Side Release
5008-01	1.5" Dual-Pull Side Release
5009	2" Side Release
5009-01	2" Dual-Pull Side Release



Part No.	Cambuckles
5004	1" Cambuckle
5005	1.5" Cambuckle
5006	2" Cambuckle



SECTION 11: DO-IT-YOURSELF

Sold in packages of 10

Part No.	Single Bar Slides
5022	1" Single Bar Slide
5023	1.5" Single Bar Slide
5024	2" Single Bar Slide

Part No.	"D" Rings
5026-D	1" D-Ring
5027-D	1.5" D-Ring
5028-D	2" D-Ring

Part No.	Rectangular Rings
5026-R	1" Rectangular Ring
5027-R	1.5" Rectangular Ring
5028-R	2" Rectangular Ring

Part No.	Tee Nuts
8001	1/4-20 x 7/16" Length
8002	10-32 x 1/2" Length

Part No.	Stingers
10901	10-32 x 1/2" Length
10902	1/4-20 x 1/2" Length

Part No.	Lock Nuts (Nylon Insert)
10203	10-32 Thread
10204	1/4-20 Thread
10205	5/16-18 Thread



SECTION 11: DO-IT-YOURSELF

Sold in packages of 10

Part No.	1/4-20 Hex Head Bolts
10801	3/4" Length
10802	1" Length
10803	1 1/4" Length
10804	1 1/2" Length
10805	1 3/4" Length

Part No.	1/4-20 Socket Head Bolts
10806	3/4" Length
10807	1" Length
10808	1 1/4" Length
10809	1 3/4" Length

Part No.	1/4-20 Button Head Bolts
10810	1/2" Length
10811	3/4" Length
10812	1" Length
10813	1 1/4" Length
10814	1 1/2" Length

Part No.	Carriage Bolts
10301	1/4-20 x 1 1/2" Length
10302	5/16-18 x 1 1/2" Length

Part No.	Washers Flat
10404	#10 Silver
10405	1/4" Black



SECTION 12: CUSTOMER ORDER INFORMATION

Terms and Conditions

To order: Use our FAX line 24 hours a day (330) 545-6389, or call our customer service department at (800) 676-5030 Monday-Friday 8:30-5:00PM Eastern Standard Time.

For customers not yet on open account status and International orders, Innovative Concepts accepts Visa, Mastercard and American Express.

Shipping: Our standard shipping is UPS ground. F.O.B. Girard, Ohio 44420 USA. Customers may request expedited shipments, customer is responsible for all shipping charges per order request.

Price Quotes: Innovative Concepts will gladly provide written price quotes (valid for 90 days) via Email: quotes@icrehab.com, FAX line or call customer service. We strive to complete and return all quote requests within 2 business days.

Terms: Net due 60 days. Delinquency fee (late fee) of 2% will be added monthly to any outstanding balances over 90 days. Any account balance over 90 days will result in account being put on "credit hold" until all past due balances are paid in full. Balances over 60 days are considered past due.

Warranty: Innovative Concepts, Inc. warrants products and materials sold to be free from defects in materials and workmanship, when under normal use and service for a period of (12) months from original Invoice date. Except for products that have a specified extended warranty period. Normal wear of products is not covered under warranty. Custom made parts and Components are covered for a period of 90 days from Invoice date.

Discrepancies: Should you experience any problem or discrepancy with your order, please contact customer service as soon as possible so we may take the necessary corrective action.

Return Policy: All returns require authorization, contact customer service department for return authorization number, all returns are subject to inspection by Innovative Concepts before credit will be given. Most returns are subject to a 20% restocking fee. Please mark RA# on outside of returning package(s), NO returns after 60 days. Custom fabricated products may not be returned.

Liability: Innovative Concepts, Inc. will not be responsible for damage or injury as a result of misuse or improper installation of its products. We recommend only experienced Assistive Technologies Professionals ATP's be consulted in the selection and application process of our products.

HCPC codes are provided for reference purposes only. Innovative Concepts, Inc. does not guarantee accuracy. Innovative Concepts, Inc. reserves the right to make changes to products, descriptions, and pricing without notice.

SECTION 12: CUSTOMER ORDER INFORMATION

Fabrics, Foam Options and Upholstery

Foam Glossary

Polymer GEL – A gel product that reduces pressure, shear forces and heat build-up. Provides a cool seating surface. Ideal for use in bony high pressure areas.

SunMate™ - A memory foam with slow recovery. Matches the contour of the body and helps reduce sitting fatigue through uniform pressure distribution. The open cell structure maximizes airflow to help reduce heat build up. Medium density recommended for seat applications and Soft density recommended for backs.

Visco-Cel® - A viscoelastic, energy absorbing memory foam with inherent memory to allow the material to rebound to it's original thickness/shape. Excellent impact absorption and low compression set. It's open-cell structure maximizes airflow, which helps to reduce heat/moisture build-up.

VARILITE® Air-Foam Floatation - Insert allows for simple adjustments to be made using two-way air valve(s) that releases air out of the cushion to immerse the user in the foam. Providing superior pressure distribution, ideal for pelvic obliquities and other asymmetries.

Etha-Foam – A high density foam used to build up contours, anti-thrust and abductors / adductors.

High Resilient (HR) Foam – Also known as polyurethane or **“Poly foam”**. Low density, closed cell foam – Standard foam. Available in 1 pound “Soft Poly” foam or 2.5 pound “Medium Poly”

Upholstery Glossary

Dartex (Standard) - A polyurethane coated fabric that is waterproof, breathable and two-way stretch. It is anti-bacterial and anti-fungal.

Dartex (Reversed) - A polyurethane coated smooth surface that can be easily wiped clean. Waterproof, breathable and has two-way stretch. It is anti-bacterial and anti-fungal.

Air-Mesh - A highly porous material, ideal as a contact surface material when breathability is necessary. This material does not have a protective liner.

Darlex - A four-way stretch knit laminate material. It is made of two layers of spandex type material fused together with a thin layer of rubber in-between.

Rubatex - A two-way stretch material, laminated to a very thin layer of neoprene with a knit fabric top. Waterproof and breathable.

Vinyl/Naugahyde - A vinyl coated fabric with little stretch and is not considered waterproof or breathable. Durable, easy to wipe clean surface is mildew and bacteria resistant.

Cordura - A textured, high durability nylon material.

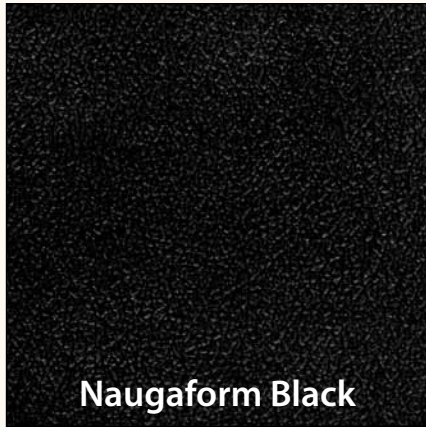
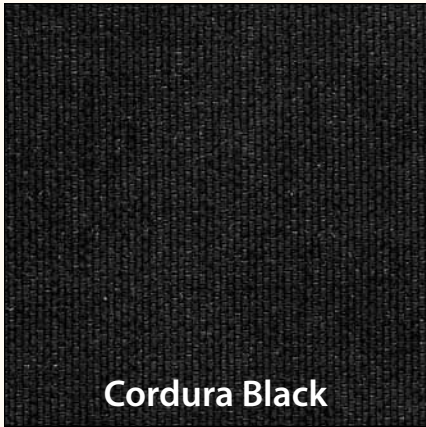
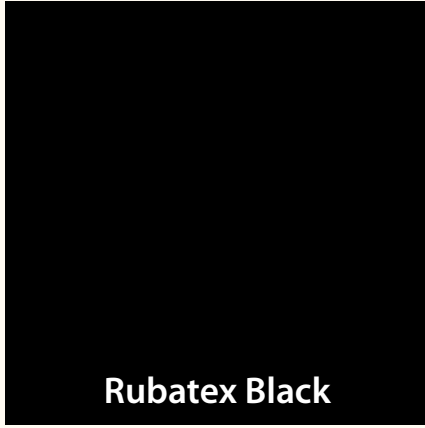
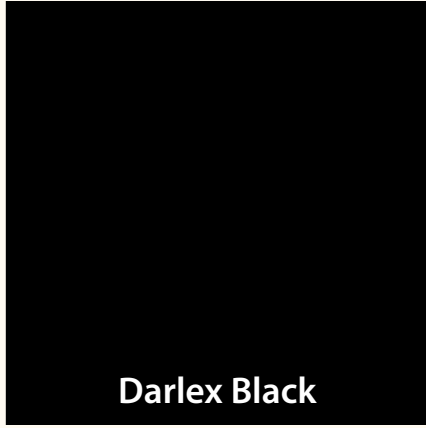
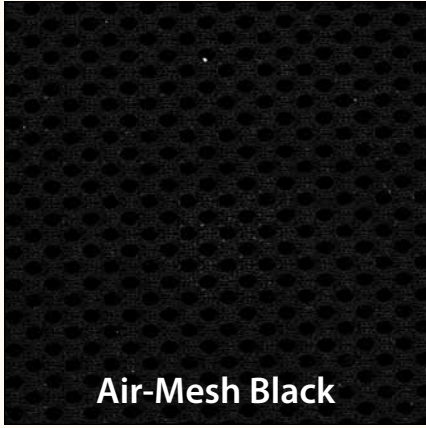
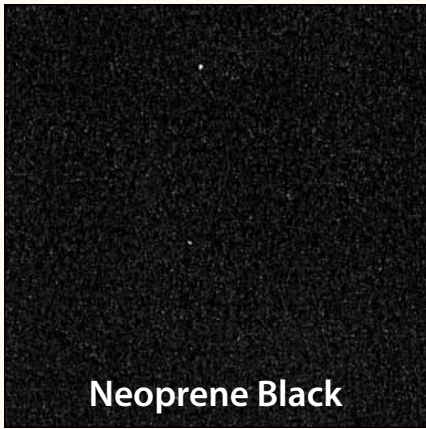
Naugaform - A thick vinyl type material that can be carefully heated and stretched. Ideal for “Vacuum-Formed” molded seating systems.

Incontinent Inner-Liner - This is available as a secondary zippered inner-liner cover only. A polyurethane coated smooth surface that can easily be wiped clean. waterproof, anti-bacterial and anti-fungal.

Neoprene - Is a synthetic rubber material designed to act flexibly, durably, and to resist breakdown by water. It is form fitting and resilient. Comes with a U-Loop style finish which is Hook Velcro sensitive

SECTION 12: CUSTOMER ORDER INFORMATION

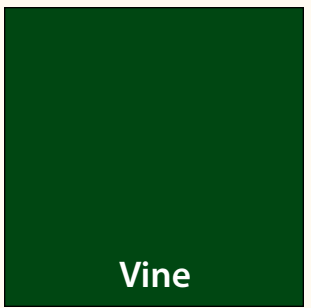
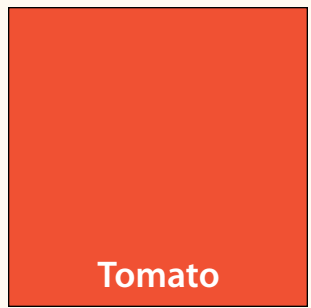
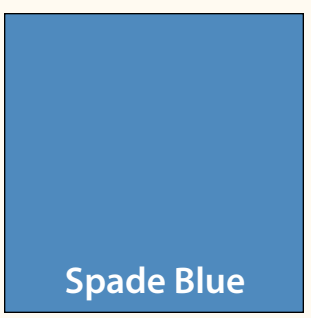
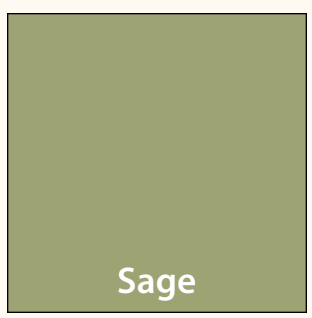
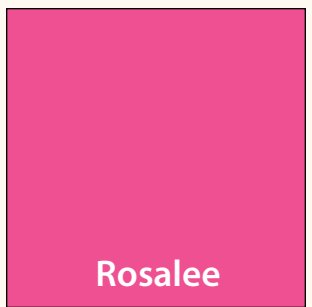
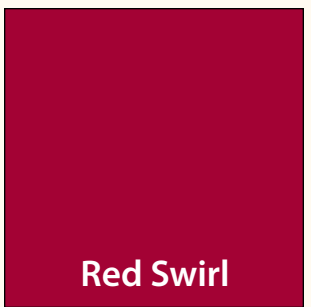
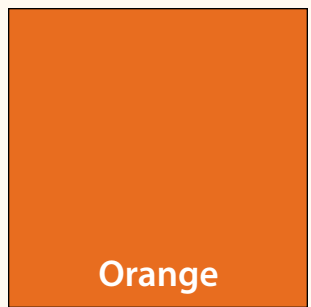
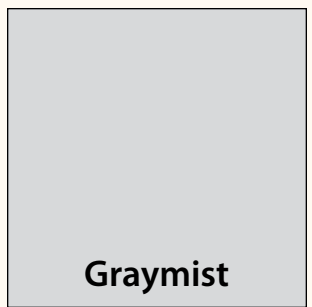
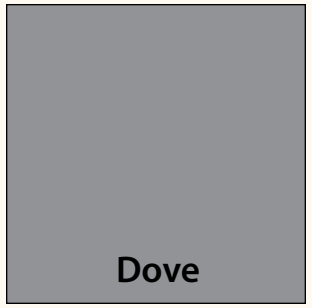
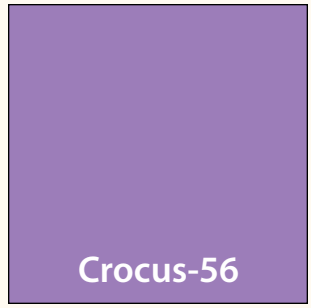
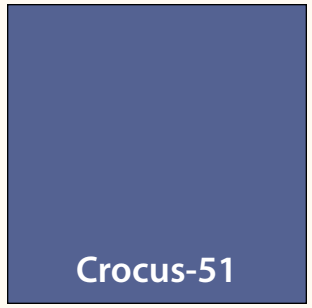
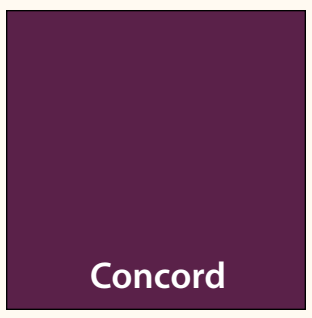
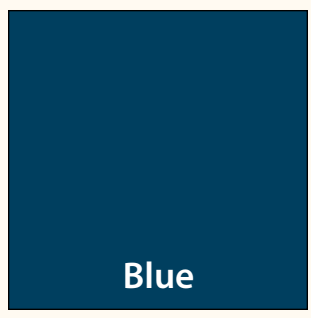
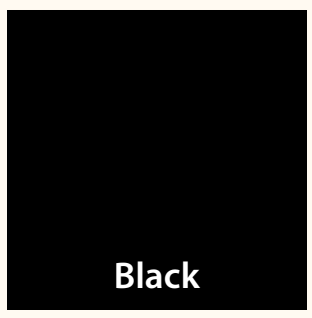
Fabric Swatches



Customer Order Information

SECTION 12: CUSTOMER ORDER INFORMATION

Vinyl Fabric Colors





TOLL FREE 800-676-5030 • FAX 330-545-6389 • www.icrehab.com